

WH02942

FIRMAN[®]
POWER EQUIPMENT

8716 WEST LUDLOW DR. SUITE #6
PEORIA, AZ 85381
1-844-347-6261

WWW.FIRMANPOWEREQUIPMENT.COM

GAS: 3200 / 2900 WATT - LPG: 2900 / 2600 WATT ELECTRIC START
DUAL FUEL INVERTER PORTABLE GENERATOR
EPA CARB AND cETL CERTIFIED

UPC // 840876129425

GAS STARTING / RUNNING WATTS // 3200 / 2900

LPG STARTING / RUNNING WATTS // 2900 / 2600

VOLTAGE // 120V

FREQUENCY // 60Hz

ENGINE TYPE // OHV

STARTING SYSTEM // ELECTRIC / RECOIL

FUEL TANK VOLUME // 1.8 GAL

RUN-TIME // UP TO 10 HRS (@25% LOAD)

DECIBLES // 58 dB (@7m @25% LOAD)

CARTON L×W×H // 28.7" × 18.9" × 19.3"

GROSS WEIGHT // 108 LBS.

UNIT WEIGHT // 90 LBS.

UNITS PER PALLET // 16

UNITS PER CONTAINER // 256 / 40HQ

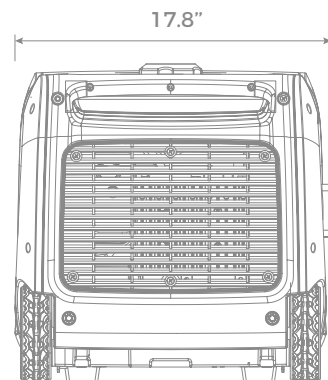
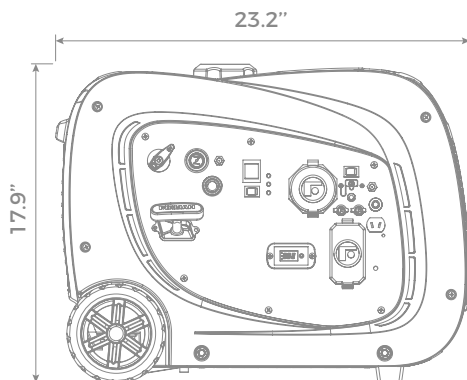
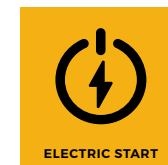
CONTROL PANEL

(2) 5-20R 20A-120V

(1) TT-30R 30A-120V RV READY

(1) DC OUTLET 8.3A-12V

(1) USB OUTLET 2.1A-5V



BEST USED FOR



FIRMAN® WH3200IE

DUAL FUEL

Fuel Selector Switch
Interruptor Selector de Combustible
Cohérent Sélection

LPG
LPG Regular
Propane or Natural Gas
Propane or Natural Gas

GAS
GAS
GAS

LPG INLET
Entrada de LPG
Entrée de LPG

START

STOP

ECO MODE
MODE ECO
MODE ECO

OVERLOAD PROTECTION
PROTECCIÓN SOBRECARGA
PROTECTION

BATTERY CHARGER PORT
CARGADOR DE PILES
CHARGEUR DE BATTERIE

DC

12 VDC 8.3A

AC SYSTEM FLARING
AC SYSTEM FLARING
AC SYSTEM FLARING

120 VAC 20A

120 VAC 30A RV

PARALLEL OPERATION
CALIBRE EN PARALLELE
OPERATION PARALLELE

3200 STARTING WATTS
WATTS DE ARRANQUE
POISSANCE DE DÉMARRAGE

2900 RUNNING WATTS
WATTS DE COURANT
POISSANCE DE FONCTIONNEMENT

2900 RUNNING WATTS
WATTS DE COURANT
POISSANCE DE FONCTIONNEMENT

2600 RUNNING WATTS
WATTS DE COURANT
POISSANCE DE FONCTIONNEMENT

FIRMAN Digital Display SP-68

888

V **A** **Hz**

CAUTION All use disconnect power!
Cauter déconnecter le courant.
CAUTION All use disconnect power!
Cauter déconnecter le courant.
CAUTION All use disconnect power!
Cauter déconnecter le courant.

