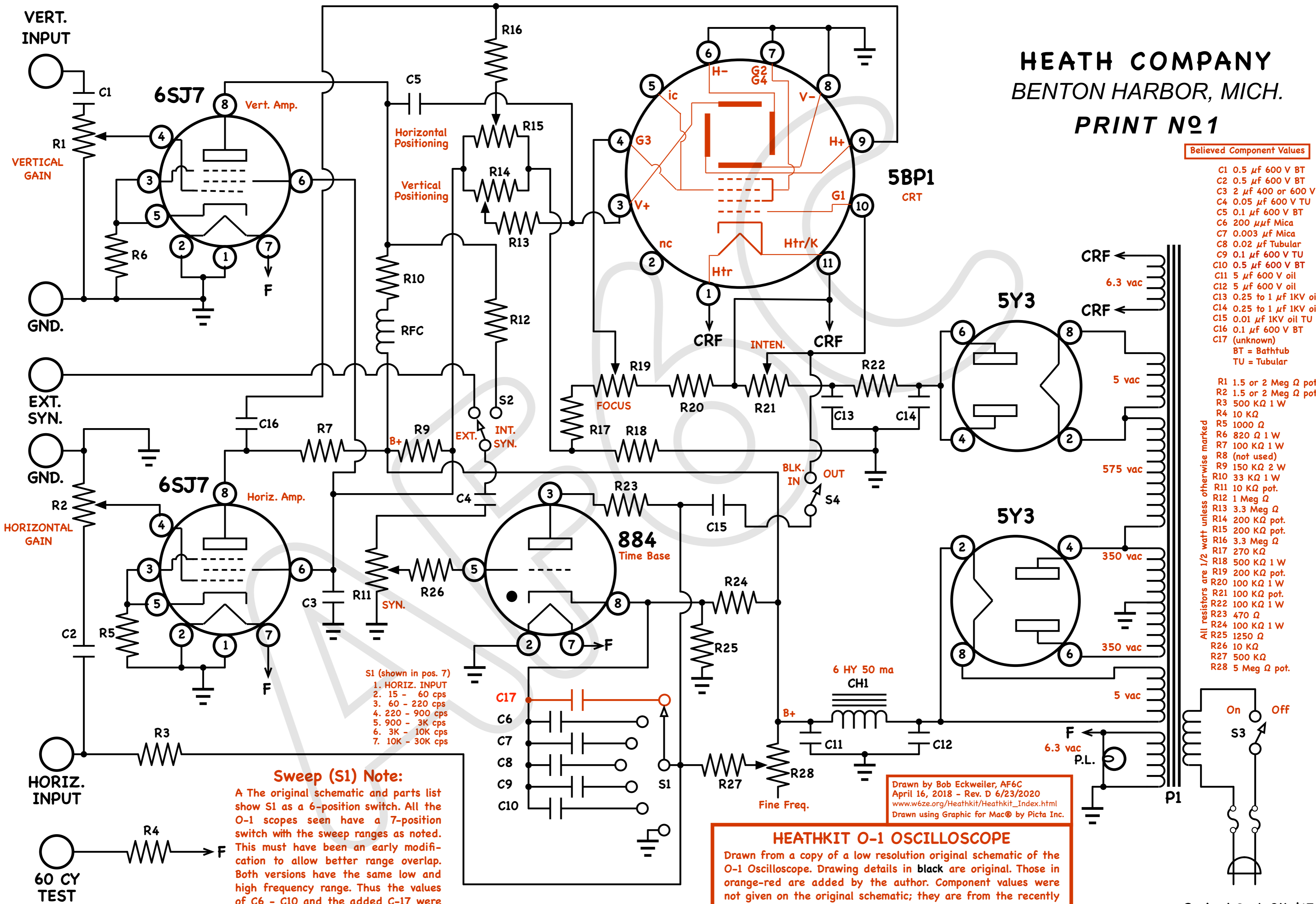


# HEATHKIT 5" OSCILLOSCOPE

HEATH COMPANY  
BENTON HARBOR, MICH.  
PRINT NO 1



**Believed Component Values**

- C1 0.5  $\mu$ f 600 V BT
- C2 0.5  $\mu$ f 600 V BT
- C3 2  $\mu$ f 400 or 600 V
- C4 0.05  $\mu$ f 600 V TU
- C5 0.1  $\mu$ f 600 V BT
- C6 200  $\mu$ f Mica
- C7 0.003  $\mu$ f Mica
- C8 0.02  $\mu$ f Tubular
- C9 0.1  $\mu$ f 600 V TU
- C10 0.5  $\mu$ f 600 V BT
- C11 5  $\mu$ f 600 V oil
- C12 5  $\mu$ f 600 V oil
- C13 0.25 to 1  $\mu$ f 1KV oil
- C14 0.25 to 1  $\mu$ f 1KV oil
- C15 0.01  $\mu$ f 1KV oil TU
- C16 0.1  $\mu$ f 600 V BT
- C17 (unknown)

BT = Bathtub  
TU = Tubular

- R1 1.5 or 2 Meg  $\Omega$  pot.
- R2 1.5 or 2 Meg  $\Omega$  pot.
- R3 500 K $\Omega$  1 W
- R4 10 K $\Omega$
- R5 1000  $\Omega$
- R6 820  $\Omega$  1 W
- R7 100 K $\Omega$  1 W
- R8 (not used)
- R9 150 K $\Omega$  2 W
- R10 33 K $\Omega$  1 W
- R11 10 K $\Omega$  pot.
- R12 1 Meg  $\Omega$
- R13 3.3 Meg  $\Omega$
- R14 200 K $\Omega$  pot.
- R15 200 K $\Omega$  pot.
- R16 3.3 Meg  $\Omega$
- R17 270 K $\Omega$
- R18 500 K $\Omega$  1 W
- R19 200 K $\Omega$  pot.
- R20 100 K $\Omega$  1 W
- R21 100 K $\Omega$  pot.
- R22 100 K $\Omega$  1 W
- R23 470  $\Omega$
- R24 100 K $\Omega$  1 W
- R25 1250  $\Omega$
- R26 10 K $\Omega$
- R27 500 K $\Omega$
- R28 5 Meg  $\Omega$  pot.

All resistors are 1/2 watt unless otherwise marked

- S1 (shown in pos. 7)
1. HORIZ. INPUT
  2. 15 - 60 cps
  3. 60 - 220 cps
  4. 220 - 900 cps
  5. 900 - 3K cps
  6. 3K - 10K cps
  7. 10K - 30K cps

**Sweep (S1) Note:**

A The original schematic and parts list show S1 as a 6-position switch. All the O-1 scopes seen have a 7-position switch with the sweep ranges as noted. This must have been an early modification to allow better range overlap. Both versions have the same low and high frequency range. Thus the values of C6 - C10 and the added C-17 were probably changed on the later version.

Drawn by Bob Eckweiler, AF6C  
April 16, 2018 - Rev. D 6/23/2020  
www.w6ze.org/Heathkit/Heathkit\_Index.html  
Drawn using Graphic for Mac® by Picta Inc.

**HEATHKIT O-1 OSCILLOSCOPE**  
Drawn from a copy of a low resolution original schematic of the O-1 Oscilloscope. Drawing details in black are original. Those in orange-red are added by the author. Component values were not given on the original schematic; they are from the recently obtained parts list. See note on S1 and the sweep frequencies.