



R

F



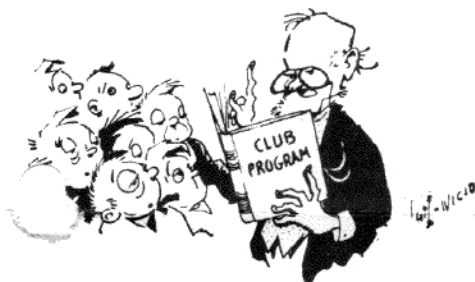
ORANGE COUNTY AMATEUR RADIO CLUB

P.O. BOX 95, ORANGE, CALIF. 92668

Volume 19, Number 11

Nov 1978

THIS MONTH'S MEETING . . .



Friday, Nov 17, 1978

0330 UTC (7:30 PM)

Mercury Savings and Loan
1095 Irvine Boulevard
Tustin

ORANGE COUNTY AMATEUR RADIO CLUB - "Formed to promote interest and participation in amateur radio communication, to contribute to the advancement of the radio art, and to maintain fraternalism and a high standard of conduct."

1978 CLUB OFFICERS

President	Jim Kingsbury	WA6LFF	531-8717
Vice President	Terry Mathers	WB6IHZ	638-2565
Treasurer	Judy Shader	WA6HEL	538-2259
Secretary	Ron Cade	WA6FTT	897-8059
Activities	Jay Hall	WA6MOK	531-8448
Membership	Frank Smith	WA6VKZ	838-3271
Public Relations	Francis Schultz	WB6QBZ	673-7378
TVI	Kei Yamachika	W6NGO	538-8942
Members-at-Large	Al Watts	W6IBR	839-9368
	Fried Heyn	WA6WZO	549-8516

club news

PRES SAYS

Somehow it doesn't seem fair that every year people come home from the auction with more than they take. Anyway, we had another successful year. Many thanks to all those who helped.

This is your last chance to consider running for an elected office for next year. We still need a candidate for Activities Chairman.

Speaking of Activities Chairman, you may have noticed in your November QST that we (Orange County ARC) placed 8th in Class 5A on Field Day. Unfortunately, we got beat in California by the Ampex employees ARC K6QEZ/6 by 7,180 points to 6,524 points, but 8th in the nation is still fantastic. Congratulations to you all and many thanks for the effort.

Congratulations are also in order to Dixie Mathers on her new call KA6DIO, to Lee Loose on his new call KA6DIP, to MIKE MCKEE on passing his novice test and obtaining his call KA6DOS and BENJAMIN BUTCHER on his upgrade and new call of N6AVU.

It looks for sure like Orange County will be hosting the 1979 ARRL Southwestern DIV Convention at the Sheraton Hotel near Disneyland. We will be voting on supporting the convention with \$150 or one share at the November meeting. The money is to finance early deposits, etc. and will entitle OCARC to one share of the net proceeds from the convention.

Don't forget to make your reservations for the Christmas Dinner coming up in December.

Well that's it for this month. Be looking for you at the meeting on the 17th. 73's and 88's.

Jim WA6LFF

SPECIAL NOTE

The membership chairman WA6VKZ Frank will be making a motion to add a section to the constitution for Honorary Membership.

STOLEN from classroom

1- Kenwood TS820S SN 530756
1- Kenwood VFO SN 460151
1- Ikenwood 2 MTR Transverter 502.
Call Bob Waller WB6QNR if you have any information on these items
- Daytime - Phone 924-4060

SUBSCRIPTIONS

Your club makes \$1.00 for each subscription, if made thru the club, on ARRL dues and Worldradio.

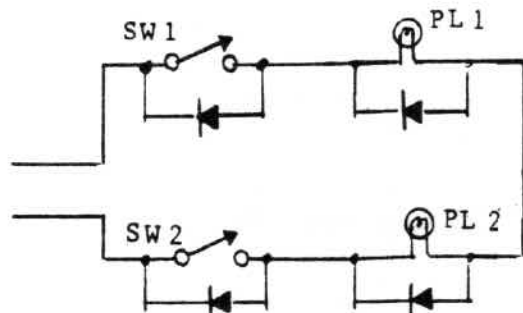
See your Treasurer
Judy WA6HEL

REMINDER

If you pay your dues before 1 Jan 79 it will only be \$6.00 after that the dues are \$8.00.

Fred AG60 and Judy WA6HEL will be operating as portable "PJ7" from 11 Nov - 16 Nov on 28.775 and early in the AM on 14.242


ANSWER TO LAST MONTH QUIZ



WHATS NEW BESIDES...



HO HO

HO 

This year, as in the past two years, the Orange County Amateur Radio Club Christmas Party will be held at the Crossroads Restaurant - 18050 Brookhurst - Fountain Valley. It will begin at 6 p.m. Sunday December 17. There will be a choice of Ham - \$6.00 or Top Sirloin Steak - \$8.50 for adults and Hamburger - \$3.50 or Beef Ribs - \$5.50 for children. These are complete meals, adults have a salad, vegetables, rolls, dessert, and a choice of coffee, tea, or milk. The price includes tax and tip.

The Christmas Party is always a highlight for the OCARC - I hope to see everyone there. There will be a sign-up sheet at the November meeting. If you cannot be at the meeting and would like to attend the party call Terry at 638-2565.

The November meeting will consist of the election of officers followed by a program about MARS presented by Jaakko Hanson WA7ZTC. Jaakko has been a leader in the MARS Program since it began in 1961. This should be another interesting program with something for everyone.

We will also have adult gift exchange. Please bring a \$2.00 gift, wrapped and labeled, O.M. bring an O.M. gift - Y.L. bring a Y.L. gift.

FOR SALE

QST and 73 magazines, 1964 - thru 1977 \$7.00 per year (12 copies). Please state your second choice. Please add mailing cost. Henry Bormann W7 Ltk - 810 West Limberlost Box # 33 - Tucson, Arizona 85705

This Article was Written by Bob Kline-W6LED of the
Hughes El Segundo Employees Association Amateur Radio

FROM THE MAILBAG Club

While recuperating from by-pass surgery, Bob Kline(W6LED) has been engaged in some research and writing. He sent in the following true story which we thought would be of interest to us HAMS:

In 1896, Marconi discovered that wireless telegraphy could be used as a communication medium. And when did the first radiotelephone get its first use? You ain't gonna believe this, but it occurred just six years after Marconi stunned the world with his discovery.

And you ain't gonna believe this, either. After many of the world's great scientists stated that voice could never be passed over the airwaves, it was accomplished by a 13 year old boy in San Francisco!

To get the full significance of this feat, please remember that Dr. Lee DeForest did not invent the audion tube until 1907.

This means that young Frances J. McCarty demonstrated his radiotelephone in 1902, just 5 years before DeForest did his thing.

How did the kid do it? I dunno, but he did. His first demonstrated voice demo was across Stowe Lake in Golden Gate Park, not far, but it did get across that small pond.

The next year 1903, the kid transmitted his voice signal over a distance of 3 miles.

In 1905, he set up a transmitter at Cliff House, and transmitted songs and stuff to a receiver just one mile south on Great Highway.

This last demo was for a group of skeptical reporters, who laughed at the hoax this kid was perpetrating on the public.

When he first started to transmit, something went wrong and everything was garbled or not heard at all. But the reporters stuck around to mortify and villify the kid, but after a while the real stuff started coming through. Then, in disbelief, they insisted he dig a trench around the receiver, 5 feet deep, so they could be sure they could find the wires that connected the apparatus at Cliff House to the receiver. They finally conceded that McCarthy, did in fact send that stuff over the air.

McCarty wanted to set up the McCarty Wireless Telephone Company and finally did so, but with only 5 people having receivers to hear him. What he attempted to do was get financial backing, so he went to a former S.F. Mayor, James D. Phelan, who usually plunked some dough into worthwhile causes and some which were directed to certain tainted political bosses. When McCarty told Phelan that he could talk to a person on the other side of Market St., i.e., office to office, Phelan remarked, "Absolutely absurd, those waves or whatever you call them, would get all fouled up in all the street noises. If the man across the street could receive my waves, he would also get a lot of other waves from the horsecars and carriages, and everything else on the street. Why he would never be able to make head or tails out of anything I tried to say".

Others, however, did finance McCarty with the issuance of 200,000 shares of capital stock at par \$1.00 and 100,000 shares went to McCarty along with a controlling interest. The question that arose among people of the day was: It appears that had McCarty not come along with his invention, then audio transmission over the wireless might never have been accomplished?" As a matter of fact, during that same period of time a few others were doing the same thing.... but they were not just teenage lads. Such big names in the wireless field as Vladimir Poulson, Reginald Fessenden and Arthur Collins were sending voice signals through the wireless medium.

Later, McCarty used the arc to improve his wireless telephone.

Just 2 weeks before he reached his 18th birthday, he was driving a horse cart in Oakland, the horse bolted and McCarty died from injuries caused by his head striking an iron pole.

Bob Kline-W6LED

OUR SPONSORS - Many thanks to the following local businesses for their courtesy and generosity in support of our club:

Meeting Hall

MERCURY SAVINGS AND LOAN
1095 IRVINE BOULEVARD
TUSTIN, CA

Drawing Prizes

931 North Euclid Avenue, Anaheim, California 92801

Walt Henry, Sr. W6ZN
931 N. Euclid Ave.
Anaheim, California 92801
(714) 772-9200 / (213) 430-7997

Henry Radio

714/772-9200-213/430-7997

HAM GEAR • DISCOUNT PRICES
• SALES •
SERVICE • SATISFACTION

HAM RADIO OUTLET

2620 W. LA PALMA, ANAHEIM, CA. 92801
TEL. (714) 761-3033
MON. - SAT. 10-6

JIM RAFFERTY
STEVE HUTCHERSON

K6AAR/WABUCE
WB5CTS 6

LAFAYETTE RADIO ELECTRONICS

ASSOCIATE STORE
1300 E. EDINGER, SANTA ANA, CA 92705

OWNED AND OPERATED BY
ACTION ELECTRONIC
WHOLESALE CO.

KEN HANKINS
PHONE 547-5169



**AMATEUR, CB, SHORTWAVE RADIO
COMMUNICATIONS EQUIPMENT**



YAESU RADIO AUTHORIZED SALES AND SERVICE

TOWER ELECTRONICS CORP.

24001 ALICIA PARKWAY MISSION VIEJO, CA 92675
PHONE (714) 768-8900

OPEN TUES-FRI 10-7, SAT 9-5, SUN 12-4

TONY WB6GTC

COLE W60XP

CLUB ACTIVITIES AND SERVICES

Meetings	The third Friday of each month, 7:30 pm, at Mercury Savings and Loan, 1095 Irvine Blvd, Tustin.
Breakfasts	The first Saturday of each month, 8:30 am., The Cook Book Restaurant - 17320 E. 17th St. Tustin .
Nets	Each Wednesday evening: CW - 21.175 MHz at 7 pm SSB - 21.375 MHz at 8 pm 2-Meter FM - 146.55 MHz simplex at 9 pm. Each Tuesday evening: 10-Meter SSB - 28.775 MHz at pm
Callbooks	The latest United States and Foreign Callbook listings (with supplements) are available at the monthly meetings and breakfasts. Additionally, call Jay/WA6MOK at 531-8448 on Wednesdays between 7 and 10 pm.
Ham Radio Classes	
Youth Representative	
Newspaper	The "RF" is mailed to members during the third week of each month Call Louie N6AQB at 832-4347 between 7 & 10 pm with inputs for articles, announcements, and classified ads.

ORANGE COUNTY AMATEUR RADIO CLUB, INC
PO BOX 95, ORANGE, CA 92668



AMATEUR RADIO

*As a public service
and exciting hobby*



*provides a world of
fun and knowledge*

FIRST CLASS MAIL